

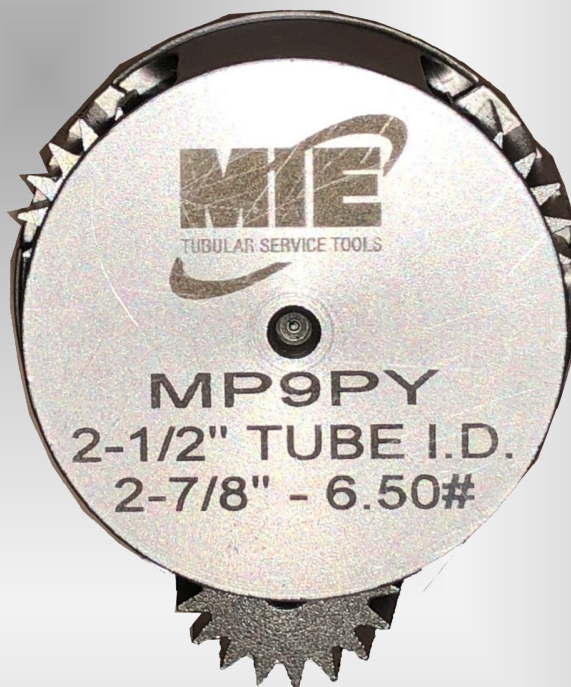
Making It Easier.

MIE RATTLING MOTORS & HEADS

100% 
Made In
the U.S.A.

Features & Benefits

- ◆ Industry leading cutter longevity
- ◆ Serialized for excellent traceability
- ◆ Individually laser etched parts
- ◆ Labeled with appropriate tube sizes
- ◆ 100% manufactured in the USA



MIE

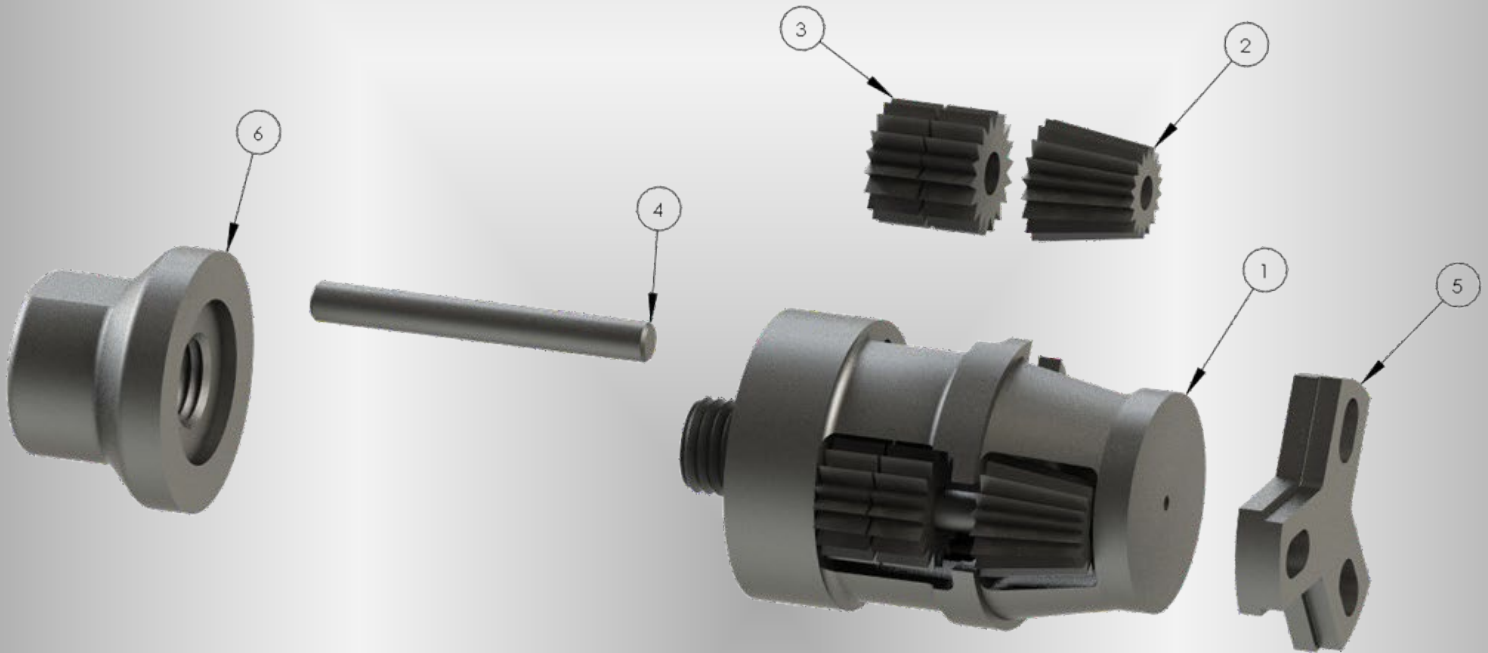
TUBULAR SERVICE TOOLS

Making It Easier.

1410 W 2nd Street ~ Odessa, TX 79763 ~ Phone: 432.614.3050 ~ www.miesupply.com



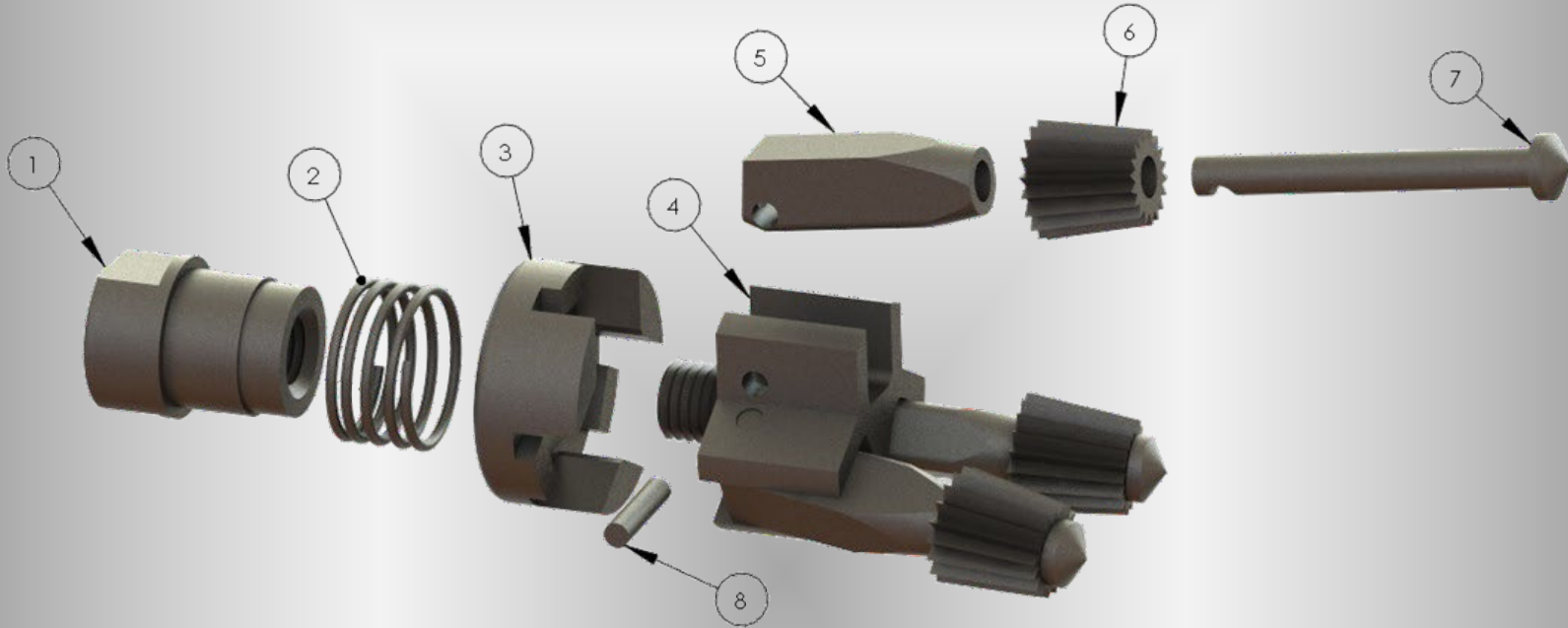
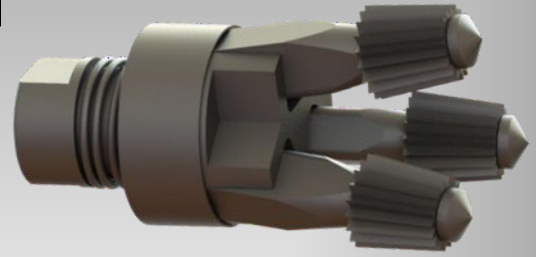
Barrel Head Parts Diagram



Head No.	Tube ID	Closed	Expand To	Tap Coupling	1	2	3	4	5	6
					Cage	Cone Cutter	Star Cutter	Cutter Pin	Pin Plate	Head Coupling
MTC 14	1-1/2"	1-3/8"	1-23/32"	9/16"	M1781	M1787 (1)	M1788 (2)	M1584 (1) M1884 (1)	-	M1783
MTC 11	1-3/4"	1-5/8"	2"	5/8"	M1881	M1587 (1)	M1588 (2)	1584 (1) 1884 (1)	-	M1883
MTC 17 PY	1-7/8"	1-11/16"	2"	5/8"	M2281 TC17PY	M2287 (3)	M2288 (6)	M1584PY (3)	-	M2383
MTC 16 PY	2"	1-13/16"	2-3/16"	5/8"	M2381PY	M1787 (3)	M1788 (6)	M1584PY (3)	-	M2383
MTC 13 PY	2-1/8"	1-5/16"	2-5/16"	5/8"	M2381 A PY	M1787 (3)	M1788 (6)	M1584PY (3)	-	M2383
MP 15 PY	2-1/4"	2-1/16"	2-7/16"	3/4"	MP1591 PY	M2487 (3)	M2488 (6)	M2484PY (3)	MP1592	M183
MP 9 PY	2-1/2"	2-1/4"	2-13/16"	3/4"	MP991 PY	M1587 (3)	M1588 (6)	M1584PY (3)	MP992	M183
MP 7 SPY	2-3/4"	2-9/16"	2-15/16"	7/8"	MP791	M1087 (3)	M1088 (6)	M184PY (3)	MP792	M983 S
MP 6 A PY	3"	2-11/16"	3-1/8"	7/8"	MP691 APY	M1087 (3)	M1088 (6)	M184PY (3)	MP692A	M983 S
MP 3 SPY	3-3/4"	3-9/16"	4-3/16"	1-1/8"	MP391	M887B (3)	M888B (9)	M884PY (3)	MP392	M883 F



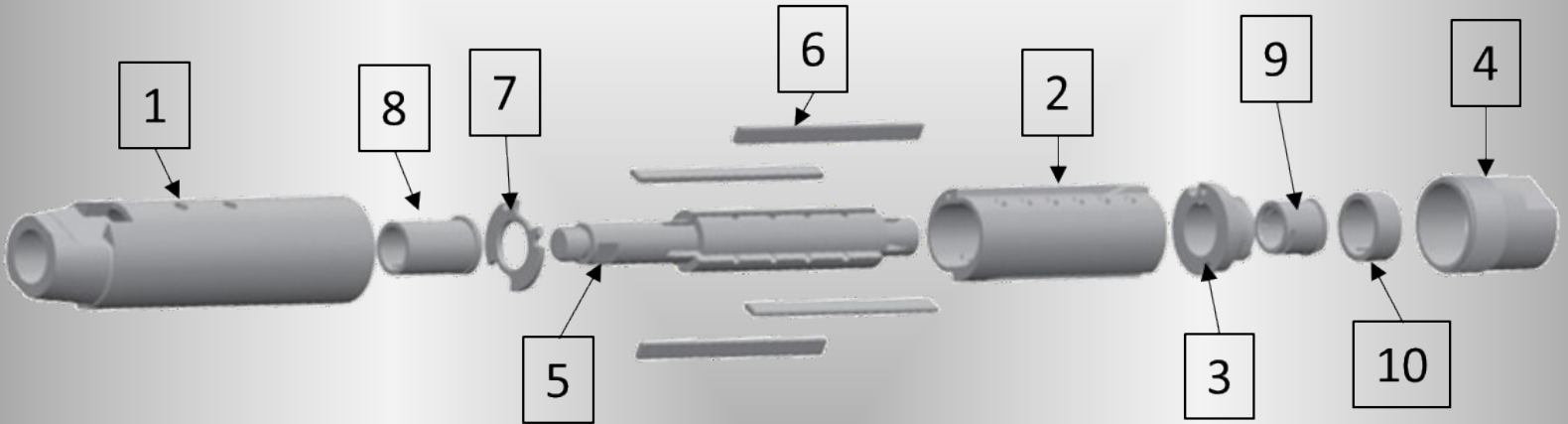
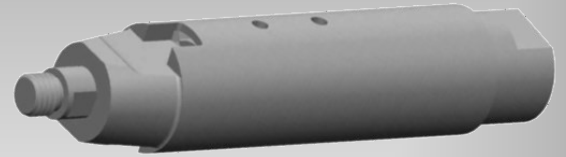
Spring Finger Head Parts Diagram



Head No.	Tube ID	Close d	Ex- pand To	Coupling Tap	1	2	3	4	5		6		7		8	No. of Arms
					Coupling	Spring	Pin Lock	Spider	Long Arm	Short Arm	Cone Cutter	Star Cutter	Long Cutter Pin	Short Cutter Pin	Arm Pin	
MSRA	1-1/2"	1-3/8"	2-3/8"	9/16"	MSRA	MSRA	MSRA	M1471	M1472	-	M2947	-	M1474	-	M1475	3
MSRA	2-5/16"	2"	3-1/2"	3/4"	MSRA	MSRA	MSRA	M4471	M4472	-	MC19	-	M4474	-	M4475	3
MSRA	2-3/4"	2-1/4"	3-7/8"	7/8"	MSRA	MSRA	MSRA	M3371	M3372	-	M637 (3)	-	M3374	-	M3375	3
MSRA	3"	2-1/2"	4"	7/8"	MSRA	MSRA	MSRA	M3271	M3472	M3272	M1047 (2)	M2837 (2)	M3474	M3274 (2)	M3275	4
MSRA	3-1/4"	2-3/4"	4-1/4"	7/8"	MSRA	MSRA	MSRA	M971	M972	M972A	M637 (4)	N/A	M974	-	M975	4
MSRA	3-1/2"	3"	4-7/8"	7/8"	MSRA	MSRA	MSRA	M771	M772	M772A	M747 (4)	N/A	M774	-	M775	4
MSA	4-3/4"	2-3/4"	5-1/2"	7/8"	MSRA	-	MSRA	M771	M772S	-	M747 (4)	-	M774S	-	M775	4



Air Motor Parts Diagram



Motor Number	Motor OD	Tube ID	1	2	3	4	5	6	7	8	9	10	-	-	-	Hose Size
			Case	Cylinder	Rear Head	Machine Cplg	Rotor	Blades (Qty)	Thrust Plate	Front Bearing	Rear Bearing	Rear Cap	Front Dowel	Rear Dowel	Rotor Threads	
M3150	1-3/8"	1-1/2"	M31501	M31502	M31503	M31504	M31505	M1806 (4)	M1707	MX1708	M31509	-	M31511	M31512	9/16" NC	1/2"
M3175	1-5/8"	1-3/4"	M31751	M31622	M31623	M31624	M31625	M1806 (4)	M1807	MX1808	M31629	-	M31511	M31512	5/8" NC	1/2"
M3200	1-7/8"	2"	M32001	M32002	M32003	M32004	M32005	M2306 (4)	M2307	M2208	M32009	M3213	M31811	M32012	5/8" NC	3/4"
M3225	2-1/8"	2-1/4"	M32251	M32252	M32253	M32254	M32255	M21506 (5)	M1507	M1408	M32009	M3213	M32011	M32112	3/4" NC	3/4"
M3250	2-5/16"	2-1/2"	M32501	M32502	M32503	M32504	M32505	M21406 (5)	M21407	M21408	M32009	M3213	M32511	M32512	7/8" NC	1"
M3262	2-1/2"	2-5/8"	M32621	M32622	M32623	M32624	M32755	M21306 (5)	M21907	M1008	M32759	M213	M32611	M32612	7/8" NC	1"
M3275	2-5/8"	2-3/4"	M32751	M32752	M32753	M32754	M32755	M21306 (5)	M21307	M1008	M32759	M213	M32611	M32612	7/8" NC	1"
M3300	2-13/16"	3"	M33001	M33002	M33003	M33004	M33005	M21006 (5)	M21007	M1008	M33009	M713	M32611	M32612	1" NF	1"
M3350	3-5/16"	3-5/8"	M33501	M33502	M33503	M33504	M33505	M20706 (5)	M20707	M20708	M33009	M713	M33211	M33212	1-1/8" NF	1"
M3400	3-3/4"	4"	M34001	M34002	M34003	M34004	M34005	M20706 (5)	M34007	M20708	M33009	M713	M33211	M33212	1-1/8" NF	1"