

## Controls

### Standard PCM 7625 Layout



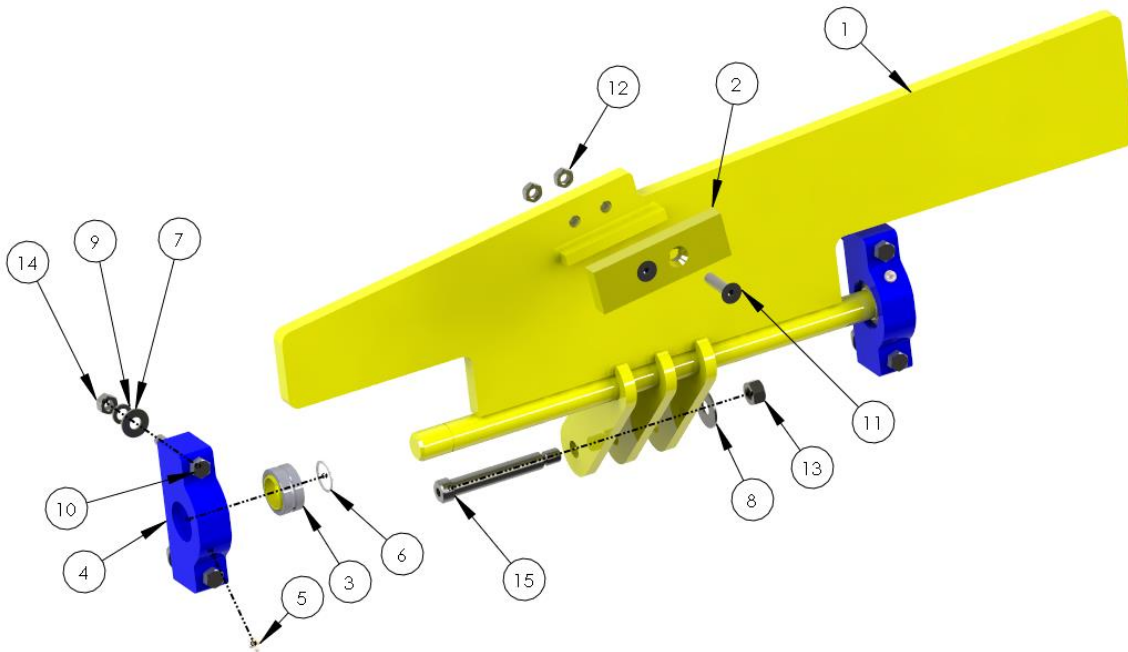
(Standard Control Layout – Specific Control Locations May Change)

	<b><u>Function</u></b>
1	Emergency Stop
2	Machine (on/off) Switch
3	Brush Motor Off/On
4	Dust Collector Off/On
5	Rear Brush Adjustment up/down
6	Pipe Speed Control
7	Pipe Load/Unload – Conveyor Direction
8	OD Scrapper Engage (if equipped)
9	Brush #1 Engage
10	Brush #2 Engage
11	Rattler Motor On



# Parts List

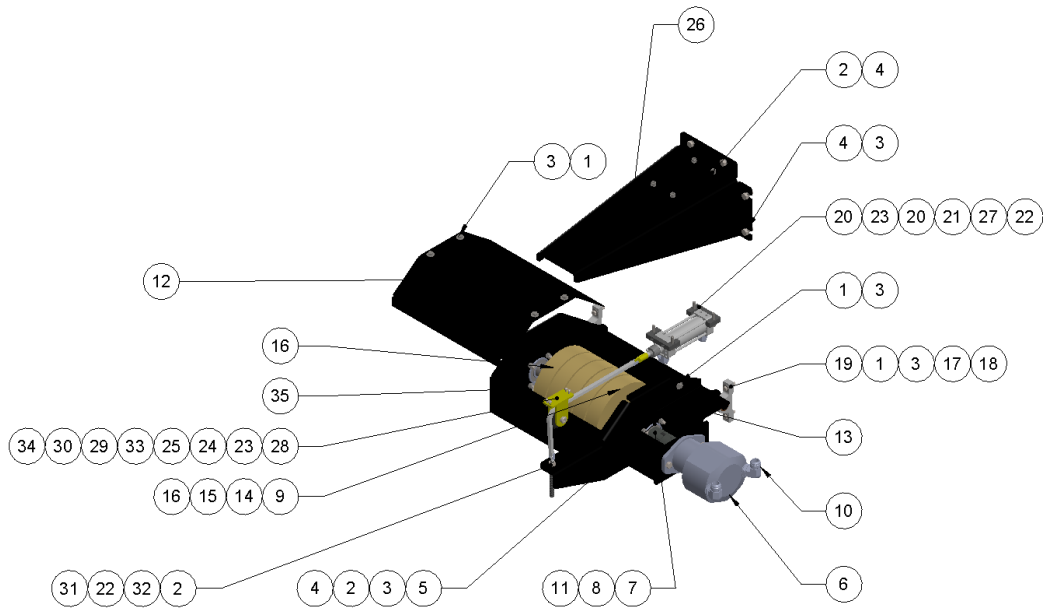
## Paddle Loader



Item #	Part #	Description	Quantity
1	M13606	PADDLE FAB ASSEM	1
2	M13592	PADDLE WEAR PAD	1
3	M14645	SPHERICAL BEARING	2
4	M13609	BEARING BLOCK	2
5	M16086	GREASE ZERK, 1/8 NPT	2
6	M17053	EXTERNAL RETAINING RING, 1 1/4"	2
7	M17649	WASHER, FLAT, .50"	4
8	M17651	WASHER, FLAT, .625"	1
9	M14140	WASHER, LOCK, .50"	4
10	M14361	BOLT, HHCS, .50" X 3.50" NC GR5	4
11	M14495	BOLT, FHSCS, .50" X 2"	2
12	M16524	NUT, JAM LOCK, .50"	2
13	M16532	NUT, LOCK, .625" NC NYLOCK	1
14	M14124	NUT, HEX, .5" NC	4
15	M38707	BOLT, SHOULDER, .75 X 4.25 X .625-11	1



## Brush Housing Assembly

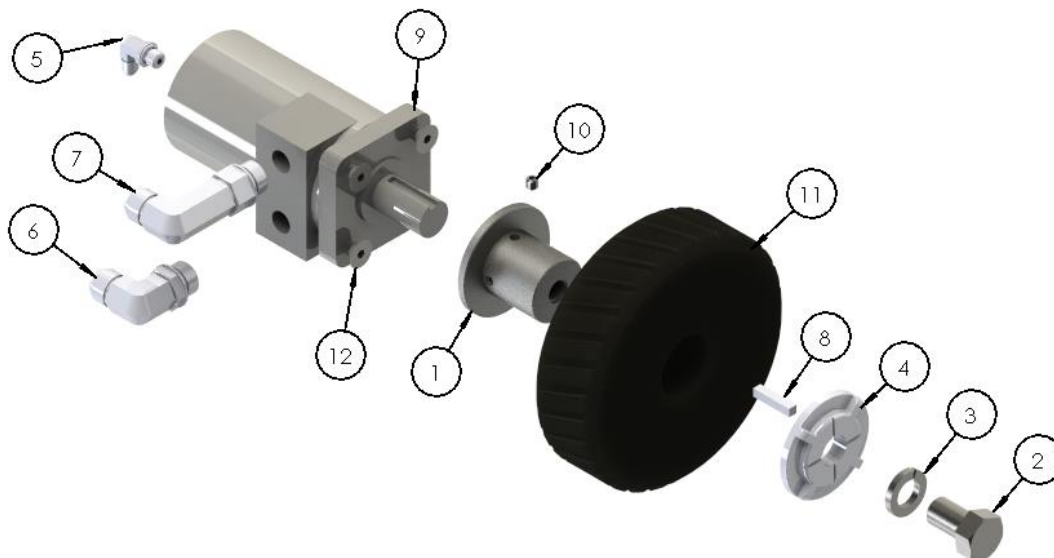


Item #	Part #	Description	Quantity
1	M17649	WASHER, FLAT,	12
2	M14124	NUT, HEX,	17
3	M14358	BOLT, HHCS,	23
4	M14145	WASHER, LOCK,	24
5	M14588	BRUSH SHAFT BEARING	2
6	M16383	BRUSH MOTOR	1
7	M15012	SPIDER COUPLING HALF	2
8	M15027	BUNA-N SPIDER	1
9	M48129	WIRE WHEEL 10", MIE	5
10	M15595	1" HYDRAULIC 90° FITG	2
11	M16298	KEY STOCK	2
12	REQUEST	BRUSH COVER	1
13	REQUEST	COUPLING COVER	1
14	M13909	BRUSH SHAFT	1
15	M13915	BRUSH SPACER	4
16	M16513	HEX NUT	1
17	M48982	GROOVED FLANGE BUSHING	2
18	M16082	GREASE FITG	2
19	M48833	BRUSH HOUSING BUSHING BLOCK	2
20	M28310	CYLINDER,AIR NCA1S200-0400KN-XB9	1
21	M15677	½" HYDRAULIC ELBOW	2
22	M16756	ROLLER CHAIN CONNECTING LINK	2
23	M14143	BOLT, SHCS	8
24	M29137	NUT, HEX	4
25	M45396	BOLT, SHOULDER,	1
26	REQUEST	AIR CYLINDER MOUNT	1

27	M45497	BRUSH CHAIN CONNECTOR	1
28	REQUEST	SPROCKET BASE PLATE	1
29	REQUEST	SPROCKET SUPPORT PLATE	2
30	M45499	SPROCKET SPACER	1
31	M38283	ROLLER CHAIN, 20" LG.	1
32	M45496	CHAIN ADJUSTMENT SCREW	1
33		SPROCKET	1
34		BUNTING BEARING	1
35		BRUSH HOUSING	2



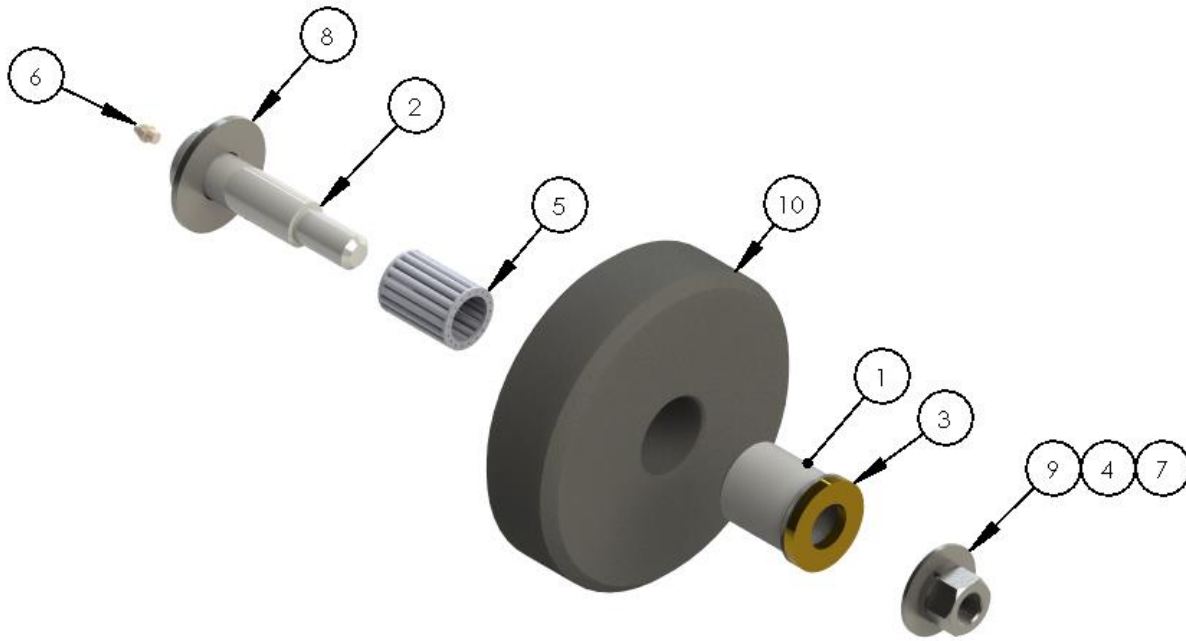
## Drive Station



Item #	Part	Description	Quantity
1	M13566	DRIVE HUB	1
2	M14131	BOLT, HHCS, .75" X 1.25"	1
3	M14133	WASHER, LOCK, .75"	1
4	M14134	LOCK WASHER CASTING	1
5	M15612	# 4 MSAE X # 4 MJIC 90° ELBOW, (2062-4-4)	1
6	M15739	# 10 MSAE X #10 MJIC 90° ELBOW, (2062-10-10)	1
7	M15790	# 10 MSAE X # 10 MJIC LONG 90° ELBOW	1
8	M16298	1/4" x 1-1/4" KEY	1
9	M16391	CHARLYNN HYD MOTOR	1
10	M17149	SET SCREW, .3125"-18 X .3125"	2
11	M22510	WHEEL, 18001JT, GROOVED	1



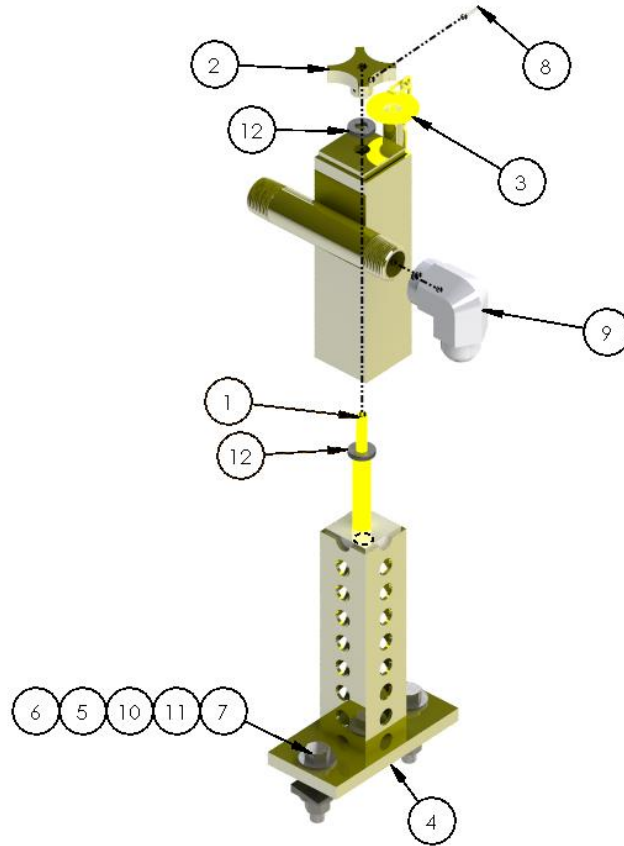
## Idler Station



Item #	Part	Description	Quantity
1	M28991	NEEDLE BEARING RACER, W. FLANGE	1
2	M14435	1" X 2.5" SHOULDER BOLT	1
3	M13979	WASHER, FLAT, 1" X 2" X .125" BRASS	2
4	M14133	WASHER, LOCK, .75"	1
5	M14641	NEEDLE BEARING	1
6	M16082	GREASE FITG, .25"-28 X .75"	1
7	M16485	NUT, HEX, .75" NC	1
8	M17652	WASHER, FLAT, 1"	1
9	M17653	WASHER, FLAT, .75"	1
10	M22531	RUBBER WHEEL , SMOOTH	1



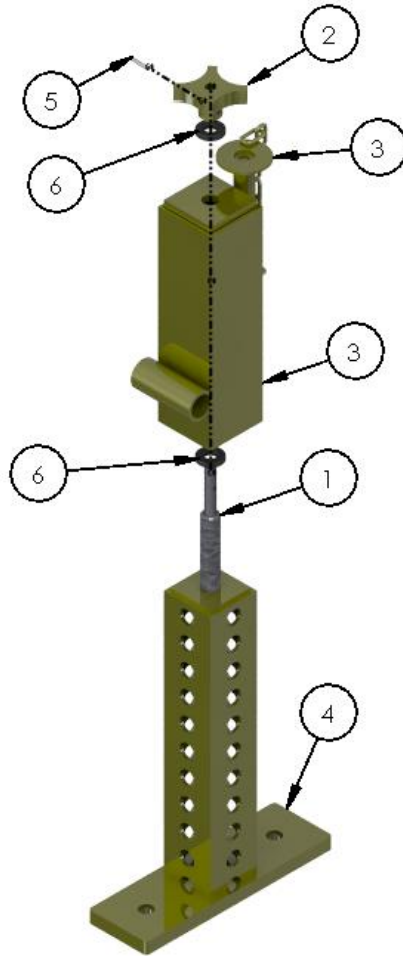
## Rear lance Assembly



Item #	Part #	Description	Quantity
1	M13596	ADJUSTMENT SCREW	1
2	M43669	KNOB, .375" STAR TRUTROL (MODIFIED)	1
3	M13602	ELEVATION ADJUSTMENT COVER	1
4	M13604	PERFORATED TUBE ASSEMBLY (REAR)	1
5	M14124	NUT, HEX, .5" NC	2
6	M14140	WASHER, LOCK, .50"	2
7	M14359	BOLT, HHCS, .50" X 2.50" NC GR5	2
8	M15288	ROLL PIN, 1/8" X 3/4"	1
9	M15653	# 16 FNPT X #16 MJIC 90° ELBOW, (2025-16-16)	1
10	M17218	LEVELING SHIM (BEVEL WASHER) 9115A033	2



## Front Lance Assembly



Item #	Part #	Description	Quantity
1	M13596	ADJUSTMENT SCREW	1
2	M43669	KNOB, .375" STAR TRUTROL (MODIFIED)	1
3	M13603	ELEVATION ADJUSTMENT COVER	1
4	M21207	PERFORATED TUBE ASSEMBLY	1
5	M15288	ROLL PIN, 1/8 " X 3/4"	1
6	M22246	WASHER, FLAT, .375" FW-3	2



## Recommended Spare Parts

Minimum recommended spare parts list			
Item #	Part #	Description	Recommended Quantity
1	M48129	WIRE WHEEL 10", HUB CITY IRON WORKS	10
2	M22531	RUBBER WHEEL , SMOOTH	15
3	M22510	WHEEL, 18001JT, GROOVED	9
4	M28991	NEEDLE BEARING RACER, W. FLANGE	6
5	M14435	1" X 2.5" SHOULDER BOLT	6
6	M13979	WASHER, FLAT, 1" X 2" X .125" BRASS	12
7	M14133	WASHER, LOCK, .75"	6
8	M14641	NEEDLE BEARING	6
9	M16082	GREASE FITG, .25"-28 X .75"	2
13	M13566	DRIVE HUB	4
15	M14133	WASHER, LOCK, .75"	2
16	M14134	LOCK WASHER CASTING	2
20	M16298	1/4" x 1-1/4" KEY	6
21	M16391	HYD MOTOR	2
22	M17149	SET SCREW, .3125"-18 X .3125"	2
23	M14588	BRUSH SHAFT BEARING	4
24	M15012	SPIDER COUPLING HUB	2
25	M15027	SPIDER ELEMENT	4
26	M13592	PADDLE WEAR PAD	4
27	M16513	BRUSH SHAFT NUT	1
28	M13909	BRUSH SHAFT	
Premium recommended spare parts addition			
26	M15157	LOAD CYLINDER	1
27	M15290	ROD EYE	2
28	M14638	ROD END RIGHT HAND	1
29	M14627	ROD END LEFT HAND	1
30	M36189	PRECISION REGULATOR	1
31	M36184	AIR VALVE	1
32	M16987	LANCE REGULATOR	1
33	M17564	LANCE AIR VALVE	1
34	M17704	DUST COLLECTOR BLADE	1
35	M16091	LINEAR BEARING	4
36			

