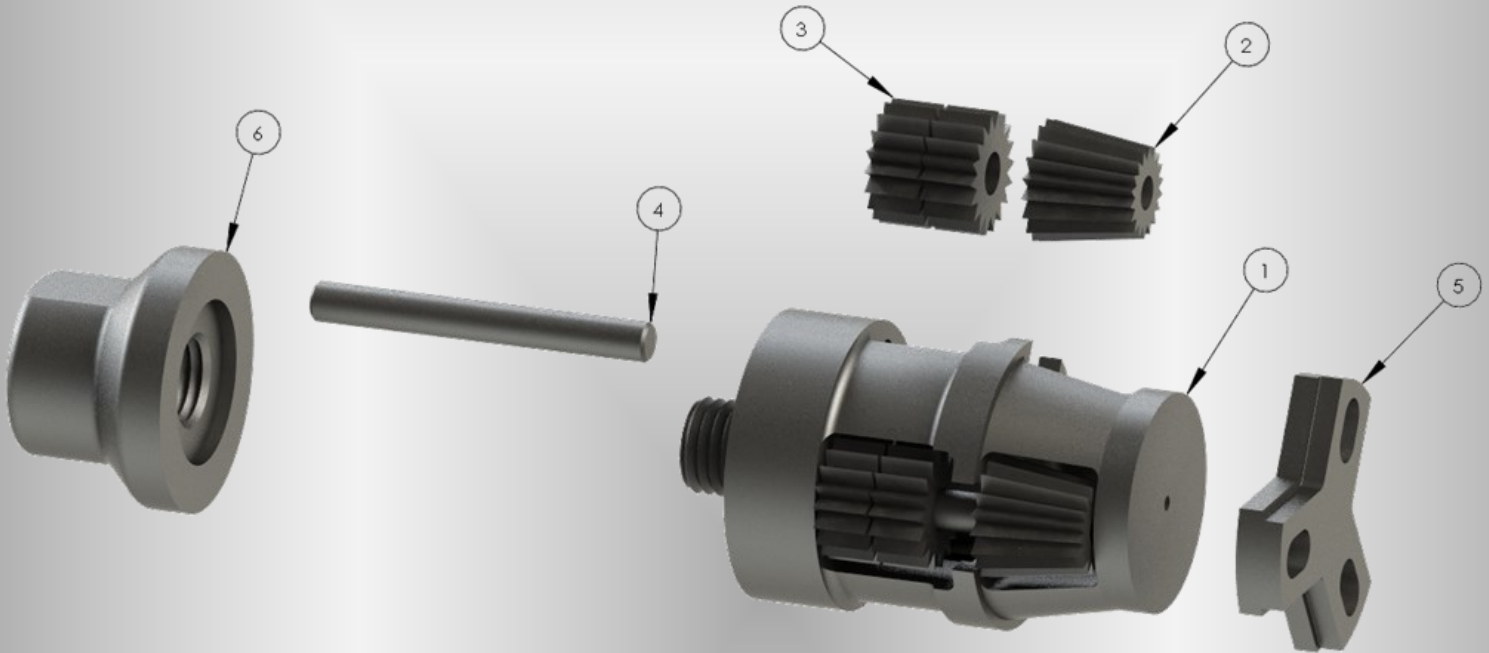




Barrel Head Parts Diagram



Head No.	Tube ID	Closed	Expand To	Tap Coupling	1	2	3	4	5	6
					Cage	Cone Cutter	Star Cutter	Cutter Pin	Pin Plate	Head Coupling
MTC 14	1-1/2"	1-3/8"	1-23/32"	9/16"	M1781	M1787 (1)	M1788 (2)	M1584 (1) M1884 (1)	-	M1783
MTC 11	1-3/4"	1-5/8"	2"	5/8"	M1881	M1587 (1)	M1588 (2)	1584 (1) 1884 (1)	-	M1883
MTC 17 PY	1-7/8"	1-11/16"	2"	5/8"	M2281 TC17PY	M2287 (3)	M2288 (6)	M1584PY (3)	-	M2383
MTC 16 PY	2"	1-13/16"	2-3/16"	5/8"	M2381PY	M1787 (3)	M1788 (6)	M1584PY (3)	-	M2383
MTC 13 PY	2-1/8"	1-5/16"	2-5/16"	5/8"	M2381 A PY	M1787 (3)	M1788 (6)	M1584PY (3)	-	M2383
MP 15 PY	2-1/4"	2-1/16"	2-7/16"	3/4"	MP1591 PY	M2487 (3)	M2488 (6)	M2484PY (3)	MP1592	M183
MP 9 PY	2-1/2"	2-1/4"	2-13/16"	3/4"	MP991 PY	M1587 (3)	M1588 (6)	M1584PY (3)	MP992	M183
MP 7 SPY	2-3/4"	2-9/16"	2-15/16"	7/8"	MP791	M1087 (3)	M1088 (9)	M184SPY (3)	MP792	M983 S
MP 6 A PY	3"	2-11/16"	3-1/8"	7/8"	MP691 APY	M1087 (3)	M1088 (6)	M184PY (3)	MP692A	M983 S
MP 3 SPY	3-3/4"	3-9/16"	4-3/16"	1-1/8"	MP391	M887B (3)	M888B (9)	M884PY (3)	MP392	M883 F
MP 4 SPY	3-1/2"	3-3/16"	3-13/16"	1-1/8"	MP491	M787 (3)	M788 (9)	M884PY (3)	MP492	M883 D